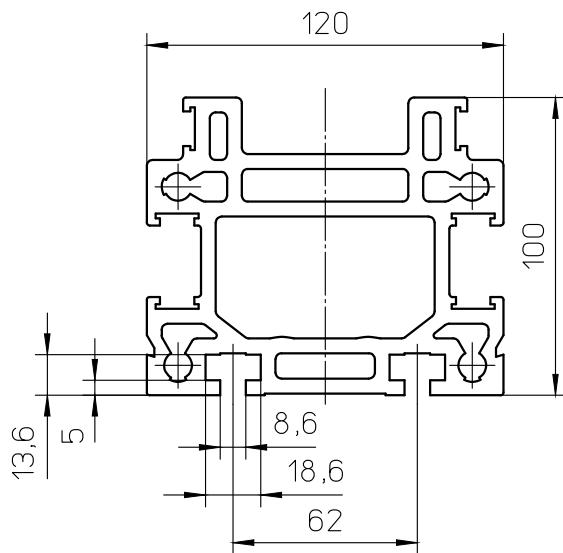


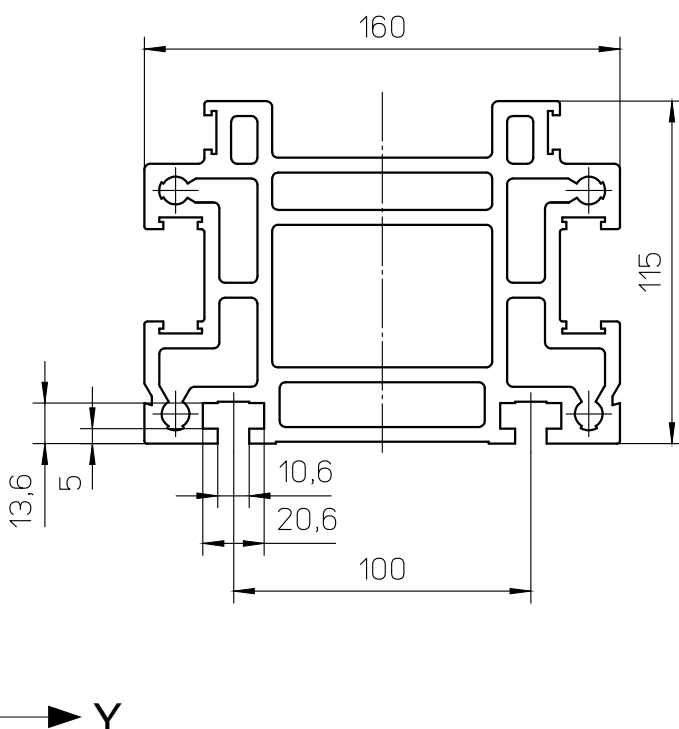
Profile Sigma 90

Specific mass [kg/m]	5,69
Surface measure [mm ²]	2108
Geometrical moment of inertia I _y [mm ⁴]	1012035
Geometrical moment of inertia I _z [mm ⁴]	1806590
Section modulus W _y [mm ³]	26586
Section modulus W _z [mm ³]	39274



Profile Sigma 120

Specific mass [kg/m]	10,92
Surface measure [mm ²]	4044
Geometrical moment of inertia I _y [mm ⁴]	4001551
Geometrical moment of inertia I _z [mm ⁴]	5857612
Section modulus W _y [mm ³]	74232
Section modulus W _z [mm ³]	97627



Profile Sigma 160

Specific mass [kg/m]	15,08
Surface measure [mm ²]	5583
Geometrical moment of inertia I _y [mm ⁴]	7080449
Geometrical moment of inertia I _z [mm ⁴]	14157096
Section modulus W _y [mm ³]	114660
Section modulus W _z [mm ³]	176964