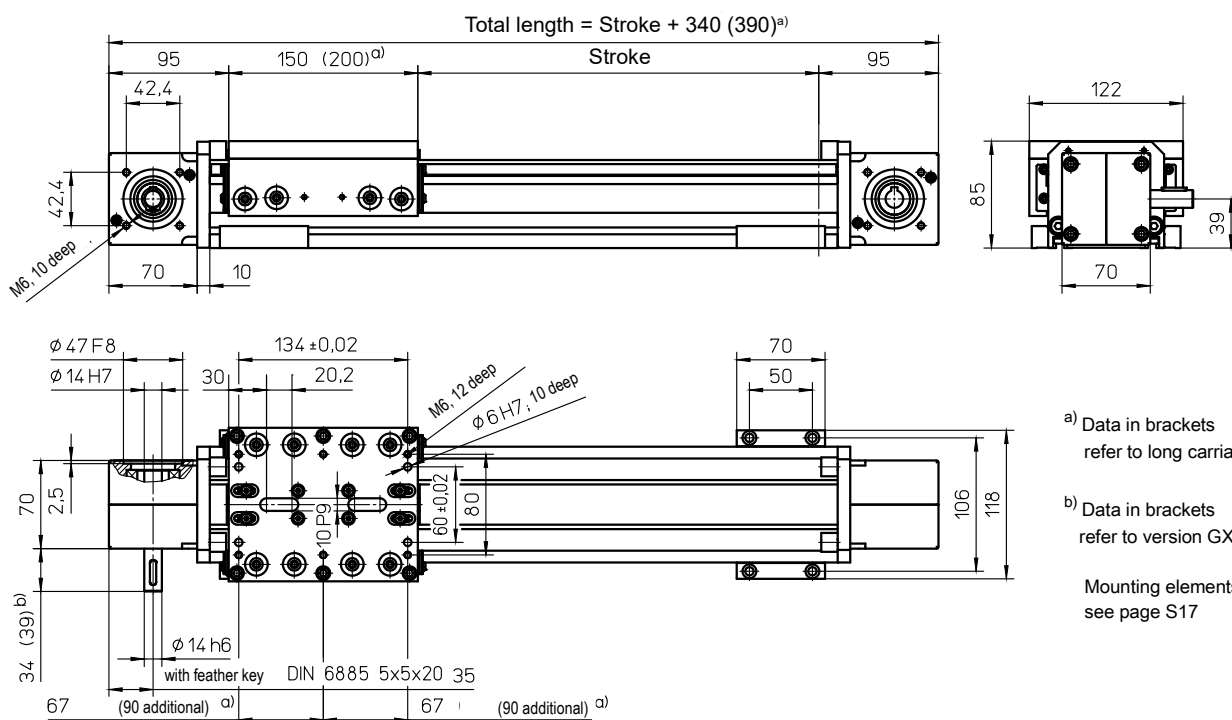


with toothed belt drive and roller guide (ZRS)



Weights

ZRS

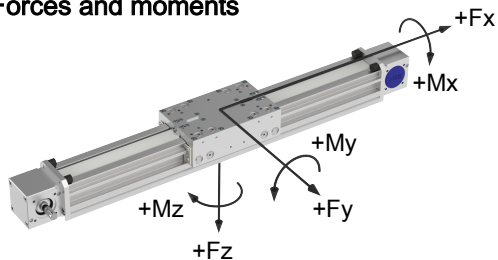
Basic length without stroke:	5.10 kg
100 mm stroke:	0.65 kg
Entire carriage 150 mm:	2.00 kg
Entire carriage 200 mm:	2.40 kg
Max. total length: (longer on request)	8100 mm

Technical Data

ZRS

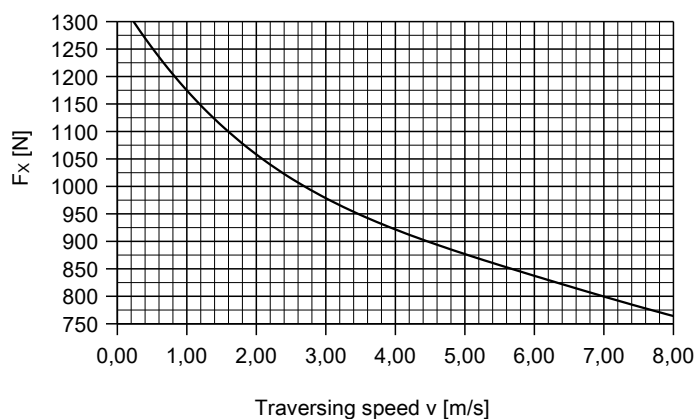
Max. speed:	8.00 m/s
Max. acceleration:	60 m/s ²
Repeat accuracy:	±0.08 mm
Idle torque:	3.20 Nm
Moment of inertia:	2.10 · 10 ⁻³ kgm ²
Drive element:	Toothed belt 32 AT5-E
Stroke per revolution:	175 mm

Forces and moments



ZRS	
Forces	Dynamic [N]
F_x ^{c)}	1300
F_y	2000
F_z	2500
-F_z	1500
Moments	Dynamic [Nm]
M_x	120
M_y	160 (230)
M_z	150 (200)

F_x - v - Diagram



^{c)} Maximum value (see diagram „F_x-v-Diagram“)
Data in brackets refer to long carriage (200)