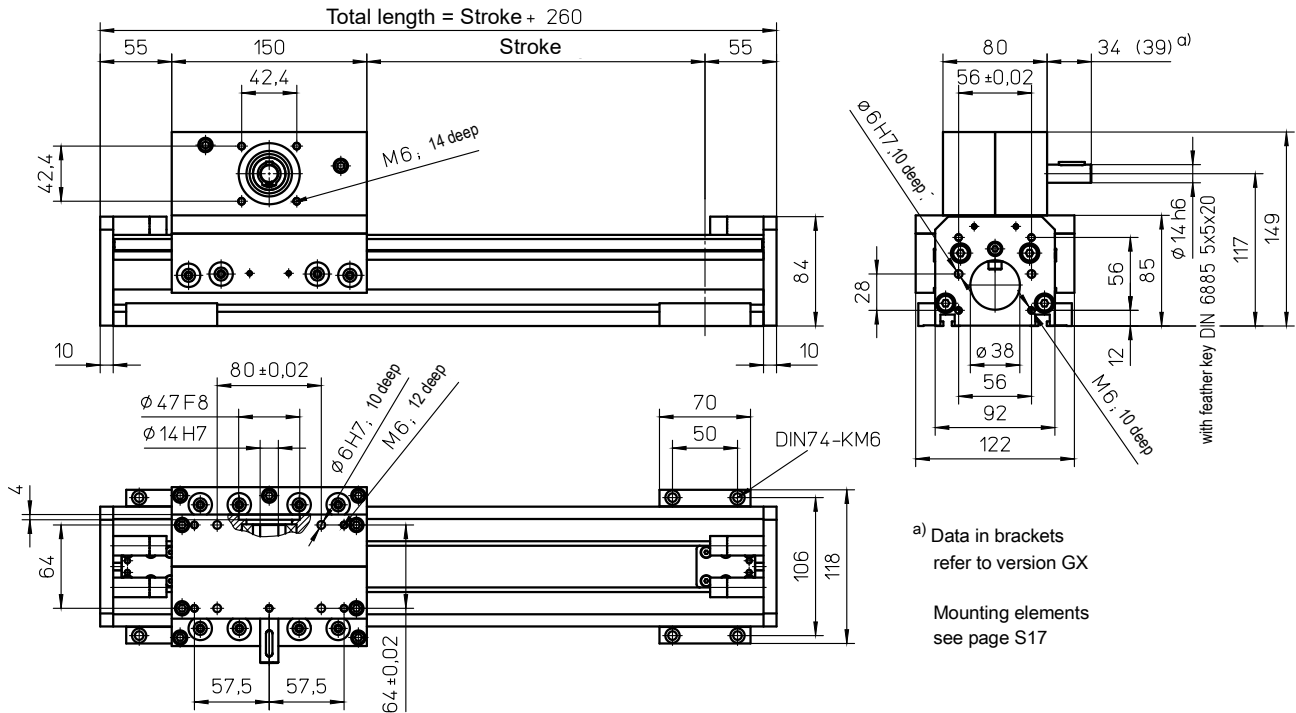


with toothed belt drive and roller guide (ARS)



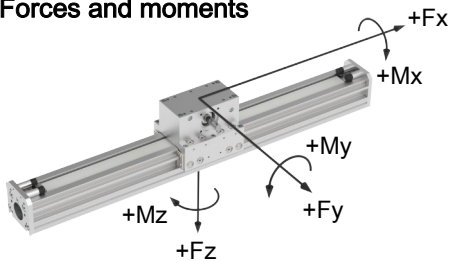
## Weights ARS

Basic length without stroke:	5.75 kg
100 mm stroke:	0.64 kg
Entire carriage 150 mm:	3.60 kg
Max. total length: (longer on request)	8000 mm

## Technical Data ARS

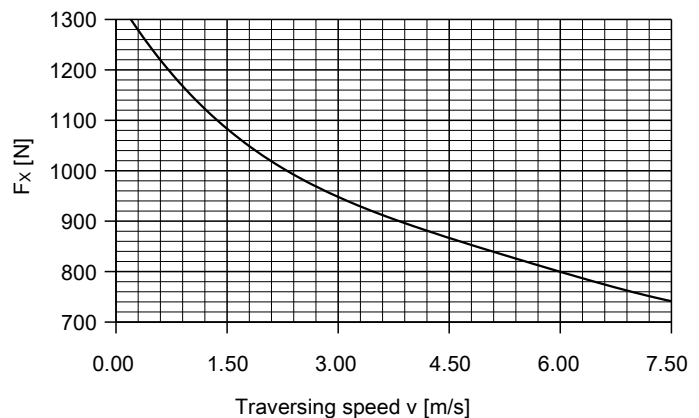
Max. speed:	7.50 m/s
Max. acceleration:	60 m/s <sup>2</sup>
Repeat accuracy:	±0.08 mm
Idle torque:	2.30 Nm
Moment of inertia: (rotatory)	1.27 · 10 <sup>-4</sup> kgm <sup>2</sup>
Drive element:	Toothed belt <b>32 AT5-E</b>
Stroke per revolution:	150 mm

## Forces and moments



ARS	
<b>Forces</b>	Dynamic [N]
<b>F<sub>x</sub><sup>c)</sup></b>	1300
<b>F<sub>y</sub></b>	2000
<b>F<sub>z</sub></b>	2500
<b>-F<sub>z</sub></b>	1500
<b>Moments</b>	Dynamic [Nm]
<b>M<sub>x</sub></b>	120
<b>M<sub>y</sub></b>	160
<b>M<sub>z</sub></b>	150

## F<sub>x</sub> - v - Diagram



c) Maximum value (see diagram „F<sub>x</sub>-v-Diagram“)