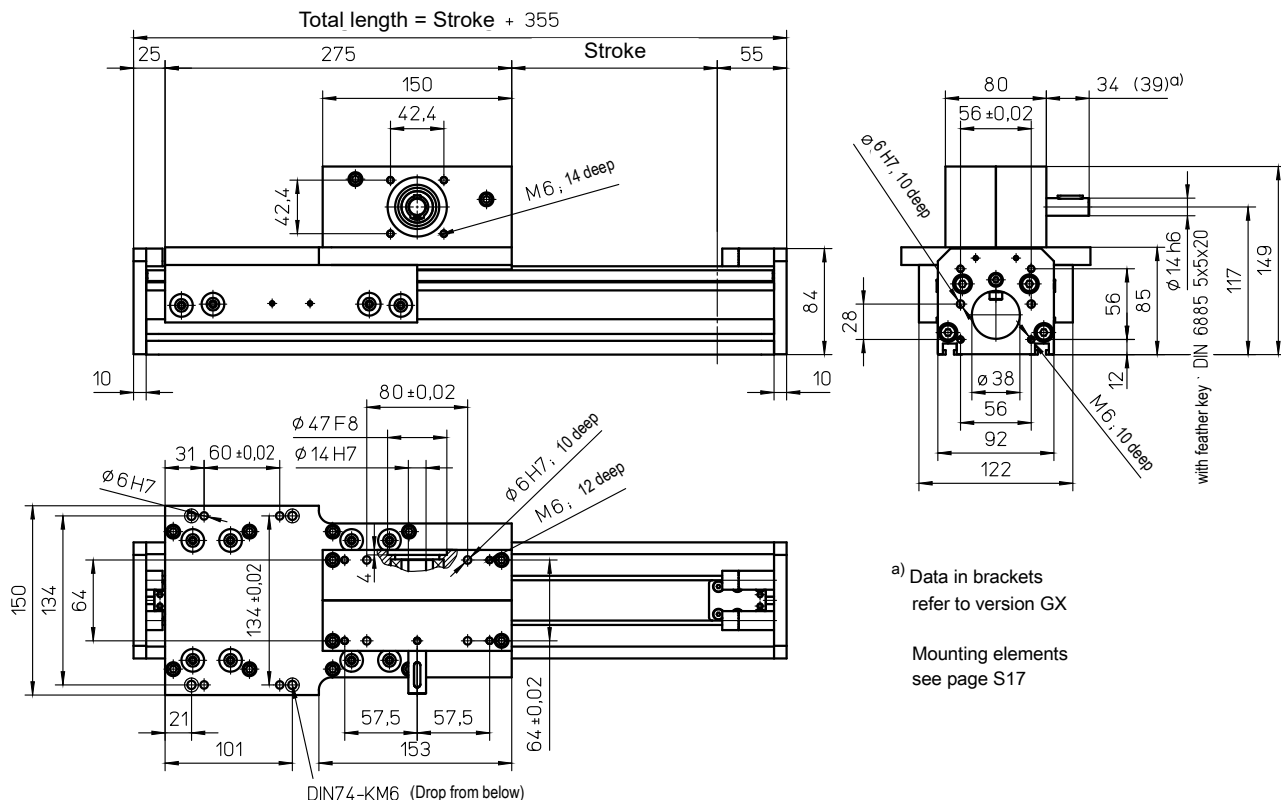


with toothed belt drive and roller guide (ARH)



Weights

ARH

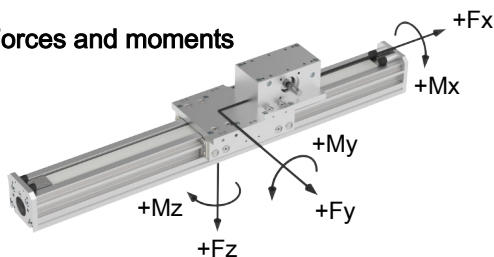
Basic length without stroke:	7.20 kg
100 mm stroke:	0.64 kg
Entire carriage 275 mm:	4.45 kg
Max. total length: (longer on request)	8000 mm

Technical Data

ARH

Max. speed:	7.0 m/s
Max. acceleration:	60 m/s ²
Repeat accuracy:	±0.08 mm
Idle torque:	2.30 Nm
Moment of inertia: (rotatory)	1.27 · 10 ⁻⁴ kgm ²
Drive element:	Toothed belt 32 AT5-E
Stroke per revolution:	150 mm

Forces and moments



ARH	
Forces	Dynamic [N]
$F_x^{b)}$	1300
F_y	2000
F_z	2500
$-F_z$	1500
Moments	Dynamic [Nm]
M_x	120
M_y	230
M_z	200

b) Maximum value (see diagram „Fx-v-Diagram“)

Fx - v - Diagram

