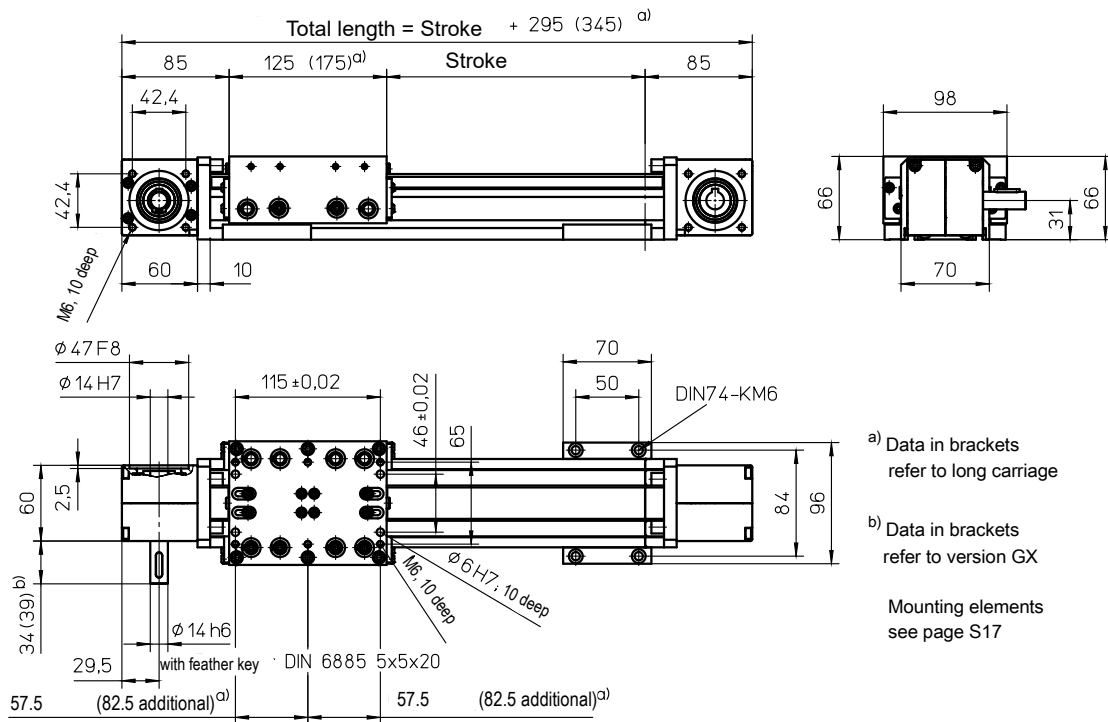


with toothed belt drive and roller guide (ZRS)



Weights

ZRS

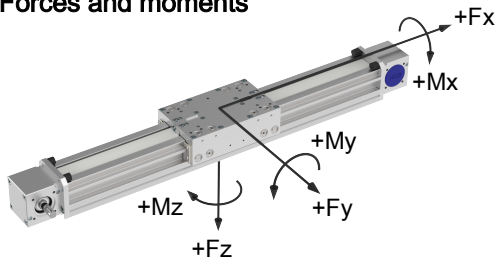
Basic length without stroke:	3.05 kg
100 mm stroke:	0.40 kg
Entire carriage 125 mm:	1.20 kg
Entire carriage 175 mm:	1.35 kg
Max. total length: (longer on request)	8100 mm

Technical Data

ZRS

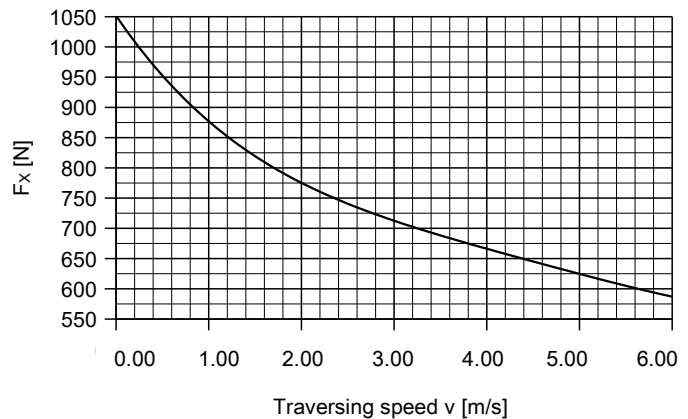
Max. speed:	6.25 m/s
Max. acceleration:	60 m/s ²
Repeat accuracy:	± 0.08 mm
Idle torque:	0.85 Nm
Moment of inertia:	6.70 · 10 ⁻⁴ kgm ²
Drive element:	Toothed belt 25 AT5-E
Stroke per revolution:	125 mm

Forces and moments



ZRS	
Forces	Dynamic [N]
F_x ^{c)}	1050
F_y	1350
F_z	1850
-F_z	1200
Moments	Dynamic [Nm]
M_x	50
M_y	70 (120)
M_z	80 (110)

F_x - v - Diagram



^{c)} Maximum value (see diagram „F_x-v-Diagram“)
Data in brackets refer to long carriage (175)