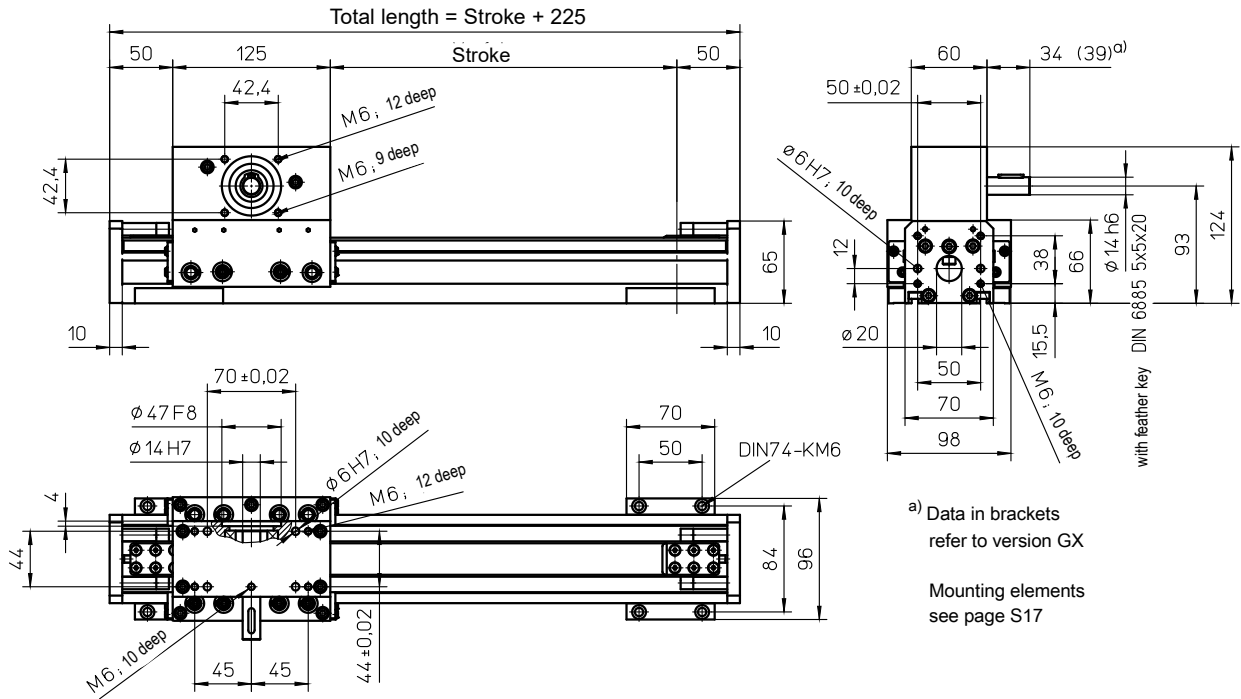


with toothed belt drive and roller guide (ARS)



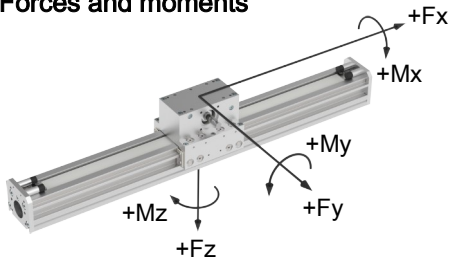
## Weights ARS

Basic length without stroke:	3.50 kg
100 mm stroke:	0.40 kg
Entire carriage 125 mm:	2.30 kg
Max. total length:	8000 mm
(longer on request)	

## Technical Data ARS

Max. speed:	6.25 m/s
Max. acceleration:	60 m/s <sup>2</sup>
Repeat accuracy:	± 0.08 mm
Idle torque:	0.85 Nm
Moment of inertia:	5.37 · 10 <sup>-5</sup> kgm <sup>2</sup>
(rotatory)	
Drive element:	Toothed belt <b>25 AT5-E</b>
Stroke per revolution:	125 mm

## Forces and moments



ARS	
Forces	Dynamic [N]
$F_x^{c)}$	1050
$F_y$	1350
$F_z$	1850
$-F_z$	1200
Moments	Dynamic [Nm]
$M_x$	50
$M_y$	70
$M_z$	80

c) Maximum value (see diagram „FX-v-Diagram“)

## FX - v - Diagram

