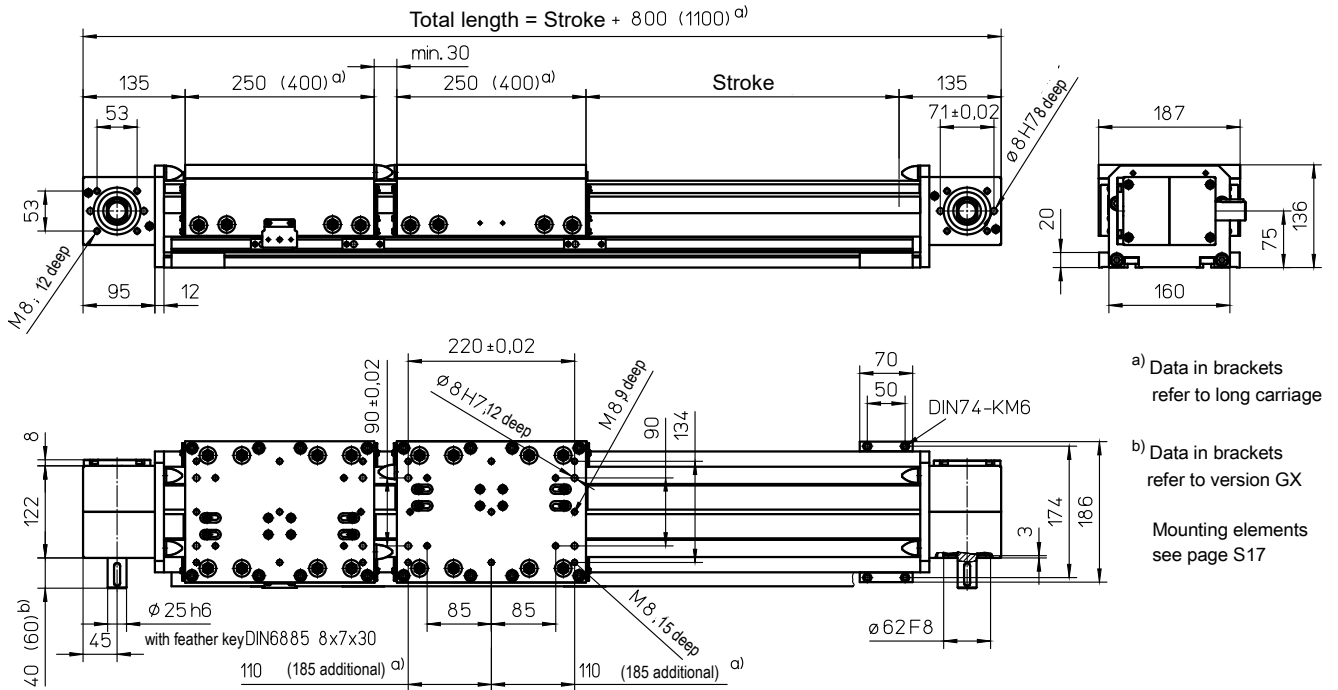


with toothed belt drive and roller guide and a second independently travelling carriage (ZRSD)



Weights

ZRSD

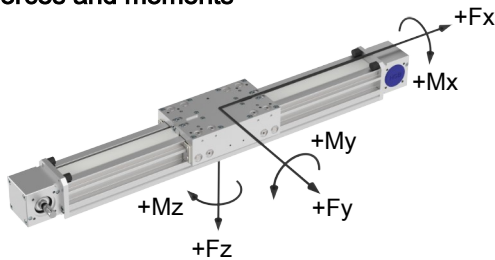
Basic length without stroke:	28.10 kg
100 mm stroke:	1.68 kg
Entire carriage 250 mm:	5.75 kg
Entire carriage 400 mm:	8.30 kg
Max. total length: (longer on request)	6100 mm

Technical data

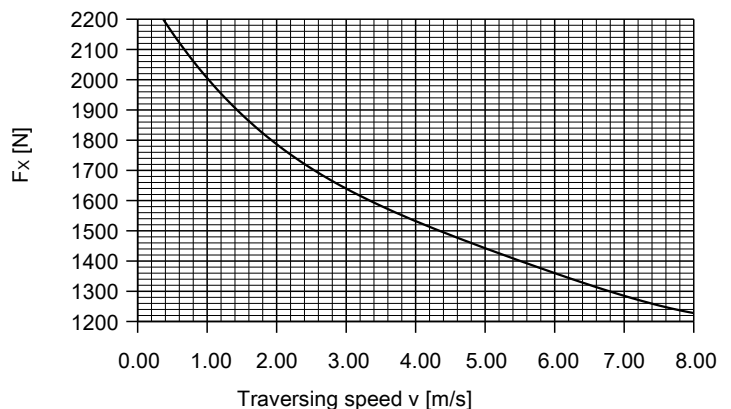
ZRSD

Max. speed:	8.00 m/s
Max. acceleration:	60 m/s ²
Repeat accuracy:	±0.08 mm
Idle torque:	3.50 Nm
Moment of inertia:	7.16 · 10 ⁻³ kgm ²
Drive element:	2 x Toothed belt 32 AT10
Stroke per revolution:	210 mm

Forces and moments



F_x - v - Diagram



^{c)} Maximum value (see diagram „F_x-v-Diagram“)
Data in brackets refer to long carriage (400)

These data apply to each carriage.