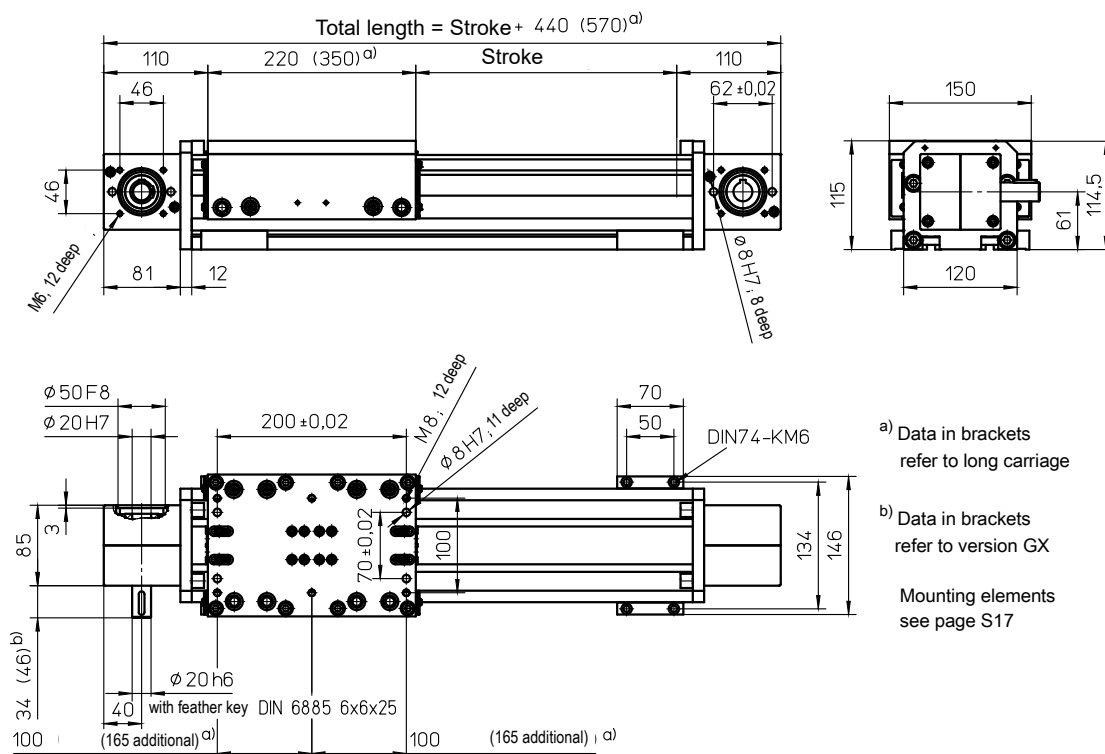


with toothed belt drive and roller guide (ZRS)



a) Data in brackets refer to long carriage
 b) Data in brackets refer to version GX
 Mounting elements see page S17

Weights

ZRS

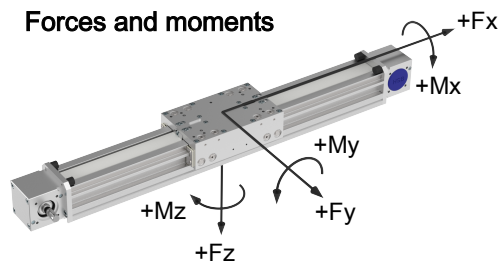
Basic length without stroke:	10.90 kg
100 mm stroke:	1.20 kg
Entire carriage 220 mm:	3.85 kg
Entire carriage 350 mm:	5.40 kg
Max. total length: (longer on request)	8100 mm

Technical Data

ZRS

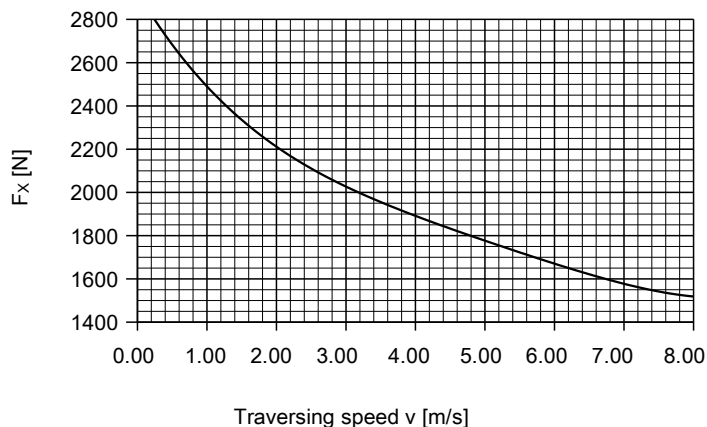
Max. speed:	8.00 m/s
Max. acceleration:	60 m/s ²
Repeat accuracy:	±0.08 mm
Idle torque:	3.00 Nm
Moment of inertia:	7.50 · 10 ⁻³ kgm ²
Drive element:	Toothed belt 40 AT10-E
Stroke per revolution:	200 mm

Forces and moments



ZRS	
Forces	Dynamic [N]
$F_x^c)$	2800
F_y	2300
F_z	3000
$-F_z$	1800
Moments	Dynamic [Nm]
M_x	170
M_y	270 (400)
M_z	270 (400)

Fx - v - Diagram



c) Maximum value (see diagram „Fx-v-Diagram“)
 Data in brackets refer to long carriage (350)