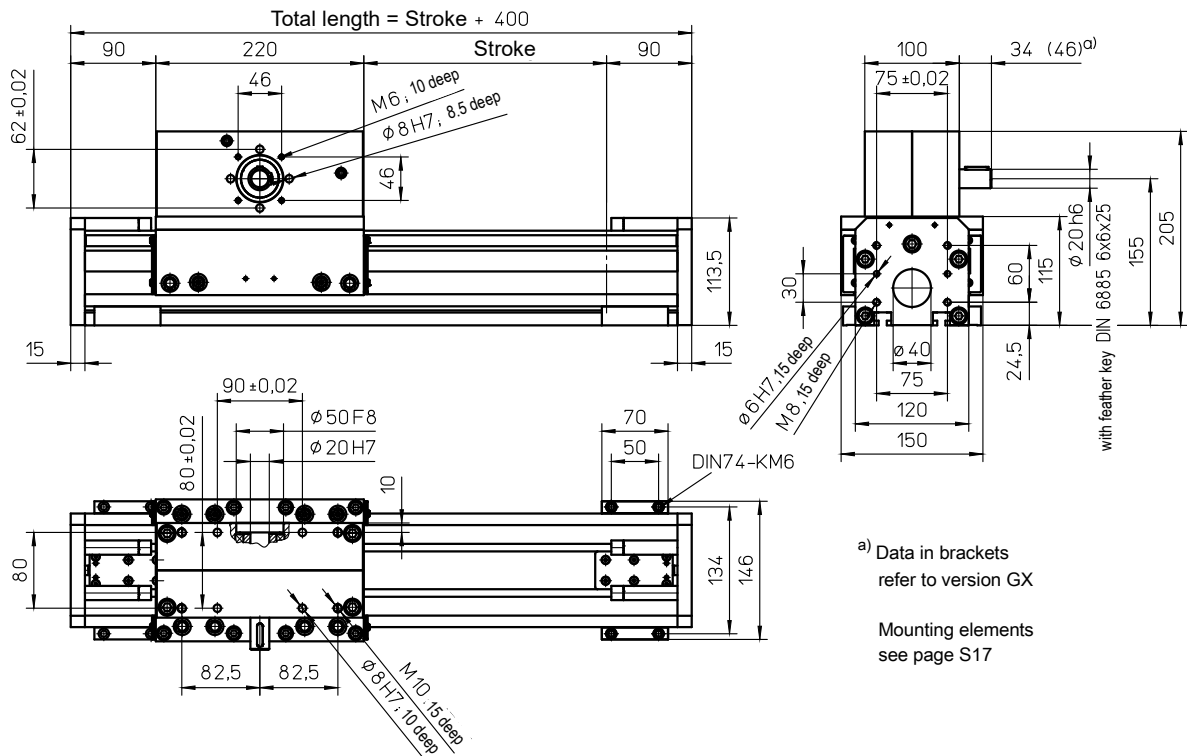


with toothed belt drive and roller guide (ARS)



a) Data in brackets refer to version GX

Mounting elements see page S17

Weights

ARS

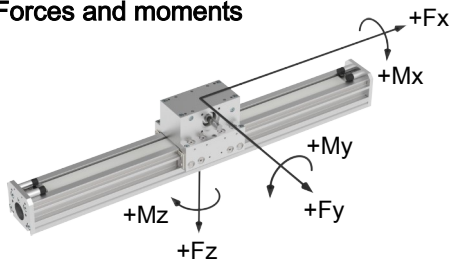
Basic length without stroke:	14.00 kg
100 mm stroke:	1.20 kg
Entire carriage 220 mm:	7.90 kg
Max. total length: (longer on request)	8000 mm

Technical Data

ARS

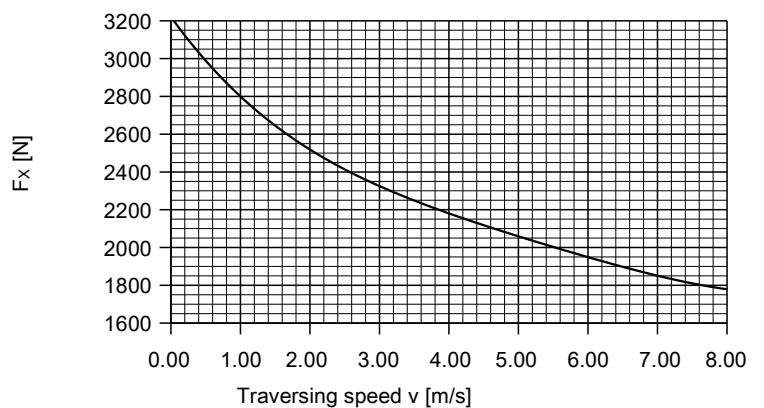
Max. speed:	8.00 m/s
Max. acceleration:	60 m/s ²
Repeat accuracy:	±0.08 mm
Idle torque:	3.80 Nm
Moment of inertia: (rotatory)	7.90 · 10 ⁻⁴ kgm ²
Drive element:	Toothed belt 40 AT10-E
Stroke per revolution:	240 mm

Forces and moments



ARS	
Forces	Dynamic [N]
$F_x^{b)}$	3200
F_y	2300
F_z	3000
$-F_z$	1800
Moments	Dynamic [Nm]
M_x	170
M_y	270
M_z	270

$F_x - v$ - Diagram



b) Maximum value (see diagram „ F_x-v -Diagram“)