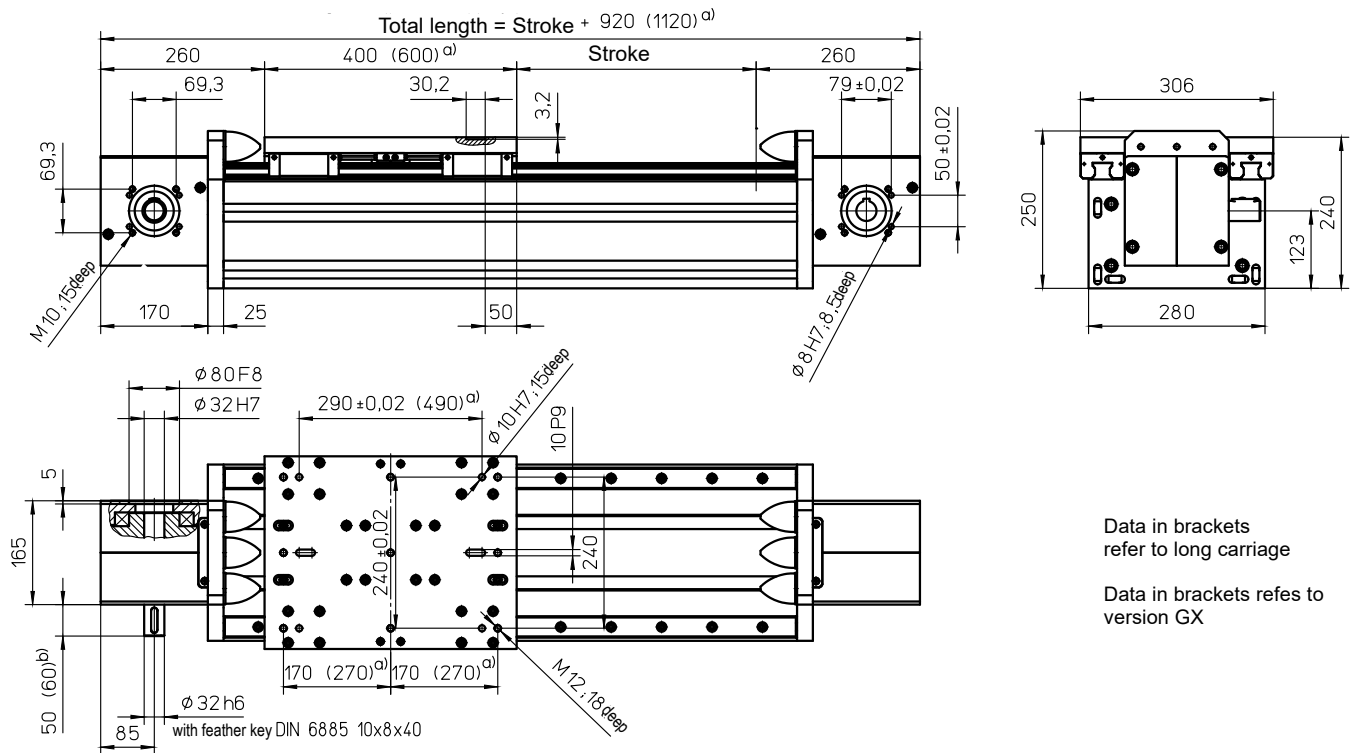


with toothed belt drive and double linear guide (ZSS)



Data in brackets refer to long carriage

Data in brackets refer to version GX

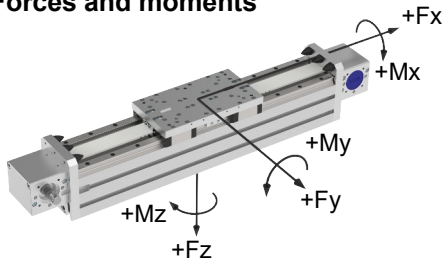
### Weights ZSS

Basic length without stroke:	91.05 kg
100 mm stroke:	6.15 kg
Entire carriage 400 mm:	19.20 kg
Entire carriage 600 mm:	23.80 kg
Max. total length: (longer on request)	8370 mm

### Technical Data ZSS

Max. speed:	5.00 m/s
Max. acceleration:	60 m/s <sup>2</sup>
Repeat accuracy:	± 0.08 mm
Idle torque:	11.00 Nm
Moment of inertia:	0.12 kgm <sup>2</sup>
Drive element:	Toothed belt <b>75 ATS15</b>
Stroke per revolution:	450 mm

### Forces and moments



ZSS	
Forces	Dynamic [N]
F <sub>x</sub> <sup>c)</sup>	10000
F <sub>y</sub>	20000
F <sub>z</sub>	30000
Moments	Dynamic [Nm]
M <sub>x</sub>	4000
M <sub>y</sub>	15000 (25000)
M <sub>z</sub>	12000 (20000)

<sup>c)</sup> Maximum value (see diagram "F<sub>x</sub>-v-Diagram")  
Data in brackets refer to long carriage (600)

### F<sub>x</sub> - v - Diagram

