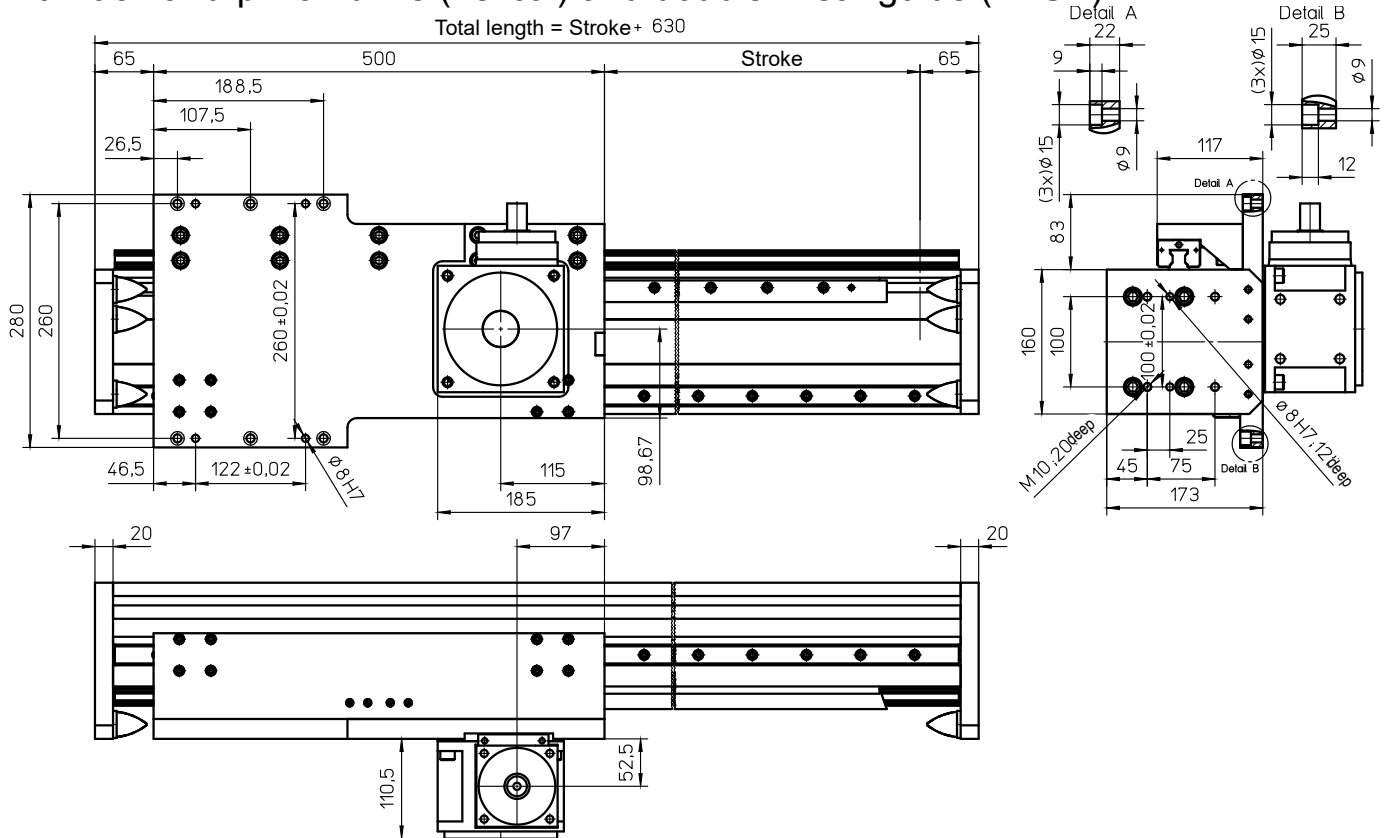


with rack-and-pinion drive (helical) and double linear guide (AZSH)



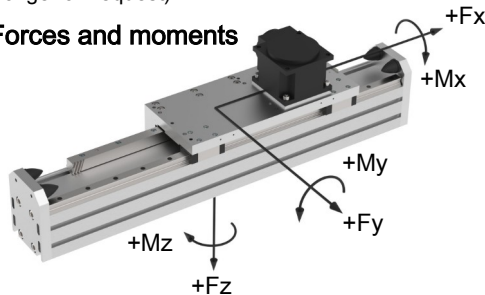
Weights

AZSH

Basic length without stroke:	34.05 kg*
100 mm stroke:	3.00 kg
Carriage 500 mm:	14.70 kg
Gears D75 / D90:	6.30 / 10.50 kg

Max. total length: 8000 mm
(longer on request)

Forces and moments



	AZSH-D75	AZSH-D90
Forces	Dynamic [N]	
F _x	1500-2200 **	3000-4000 **
F _y	12000	
F _z	12000	
Moments	Dynamic [Nm]	
M _x	2500	
M _y	7000	
M _z	7000	

Technical Data

AZSH

Max. speed:	5.00 m/s (D75) / 4.50 m/s (D90)
Max. acceleration:	20 m/s ²
Repeat accuracy:	± 0.05 mm
Idle torque at drive pinion:	5.80 Nm
Rack and pinion:	Module 2 helical
Drive pinion:	Module 2, 30 teeth
Stroke per revolution:	200 mm
Servo-high-performance-gear:	DynaGear D75 / D 90
Ratios:	5 / 10 / 15

	D75	D90
Load F_x	Dynamic [N]	
i = 5:1	2200	4000
i = 10:1		
i = 15:1	1500	3000

Preferred gear: D90
Efficiency of gears: > 96 %

Variants for gear mounting see page G29.

* inclusive standard gear

** depending on gear ratio (see table to right)