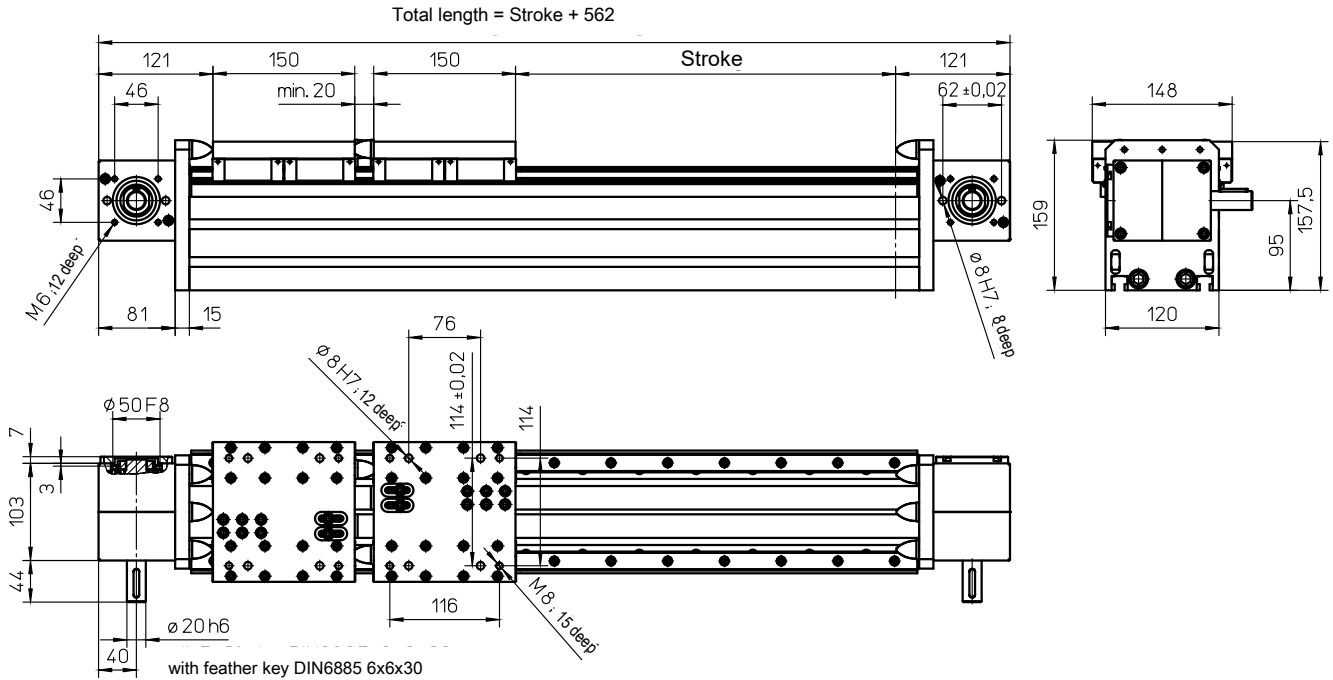


with toothed belt drive and double linear guide and a second independently travelling carriage



### Weights

### ZSSD

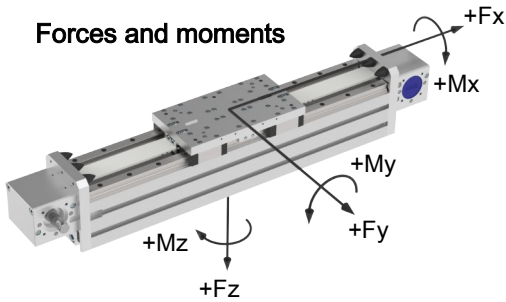
Basic length without stroke:	19.40 kg
100 mm stroke:	1.90 kg
Entire carriage 150 mm:	3.40 kg
Max. total length: (longer on request)	8200 mm

### Technical Data

### ZSSD

Max. speed:	5.00 m/s
Max. acceleration:	60 m/s <sup>2</sup>
Repeat accuracy:	± 0,08 mm
Idle torque:	3.00 Nm
Moment of inertia:	3.90 • 10 <sup>-3</sup> kgm <sup>2</sup>
Drive element:	2 x Toothed belt <b>25 ATL10</b>
Stroke per revolution:	200 mm

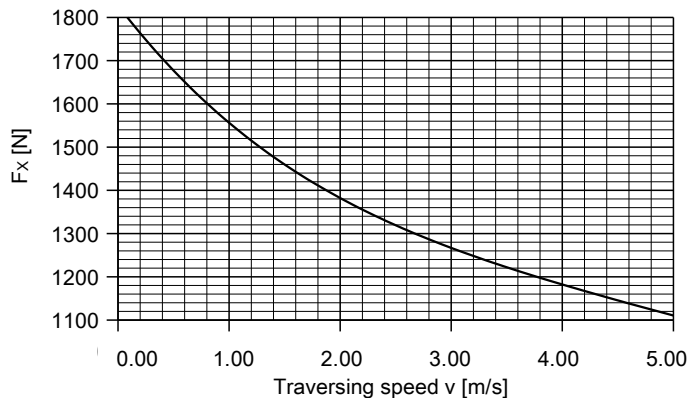
### Forces and moments



ZSSD	
<b>Forces</b>	Dynamic [N]
$F_x^{c)}$	1800
$F_y$	6000
$F_z$	8000
<b>Moments</b>	Dynamic [Nm]
$M_x$	1200
$M_y$	1300
$M_z$	1100

<sup>c)</sup> Maximum value (see diagram "Fx-v-Diagram")

### Fx - v - Diagram



These data apply to each carriage.