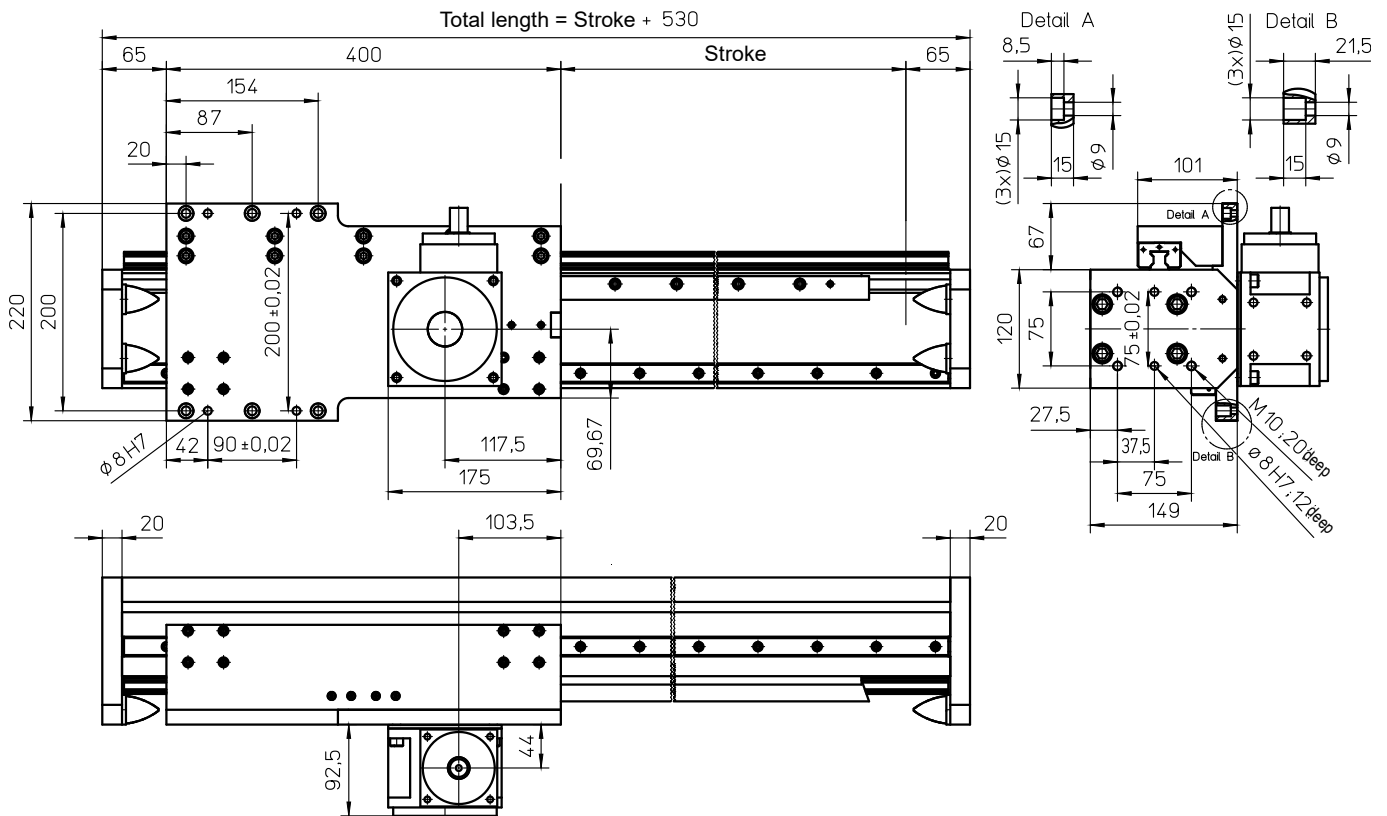


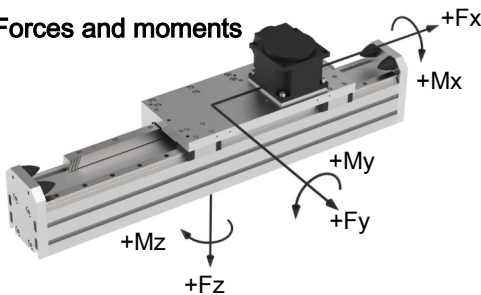
with rack-and-pinion drive (helical) and double linear guide (AZSH)



Weights

	AZSH
Basic length without stroke:	26.10 kg*
100 mm stroke:	2.10 kg
Carriage 400 mm:	8.45 kg
Gear D75:	6.30 kg
Max. total length: (longer on request)	8000 mm

Forces and moments



AZSH-D75	
Forces	Dynamic [N]
F_x	1500-2200 **
F_y	8000
F_z	8000
Moments	Dynamic [Nm]
M_x	1500
M_y	4000
M_z	4000

Technical Data

Max. speed:
Max. acceleration:
Repeat accuracy:
Idle torque at drive pinion:
Rack and pinion:
Drive pinion:
Stroke per revolution:
Servo-high-performance-gear:
Ratios:

AZSH
5.00 m/s
20 m/s ²
± 0.05 mm
4.80 Nm
Module 2 helical
Module 2, 30 teeth
200 mm
DynaGear D75
5 / 10 / 15

D75	
Load F_x	Dynamic [N]
$i = 5:1$	2200
$i = 10:1$	
$i = 15:1$	1500

Efficiency of gears: > 96 %

Variants for gear mounting see page G29.

* inclusive gear

** depending on gear ratio (see table to right)