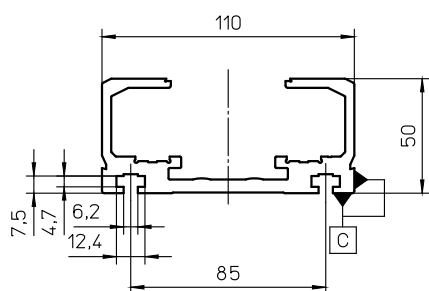


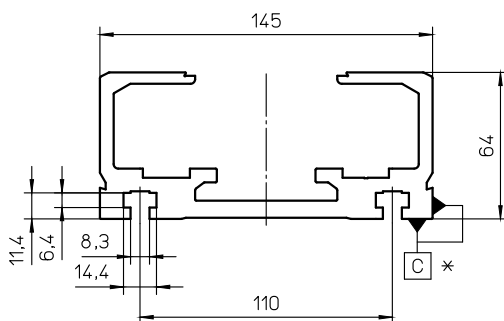
**Profile Delta 90**

Specific mass [kg/m]	3.26
Surface measure [mm <sup>2</sup> ]	1207
Geometrical moment of inertia I <sub>y</sub> [mm <sup>4</sup> ]	223339
Geometrical moment of inertia I <sub>z</sub> [mm <sup>4</sup> ]	1195788
Section modulus W <sub>y</sub> [mm <sup>3</sup> ]	9982
Section modulus W <sub>z</sub> [mm <sup>3</sup> ]	26573



**Profil Delta 110-C**


Specific mass [kg/m]	4.32
Surface measure [mm <sup>2</sup> ]	1601
Geometrical moment of inertia I <sub>y</sub> [mm <sup>4</sup> ]	446420
Geometrical moment of inertia I <sub>z</sub> [mm <sup>4</sup> ]	2505144
Section modulus W <sub>y</sub> [mm <sup>3</sup> ]	13426
Section modulus W <sub>z</sub> [mm <sup>3</sup> ]	44851

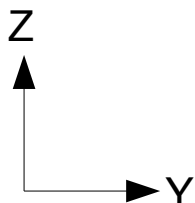


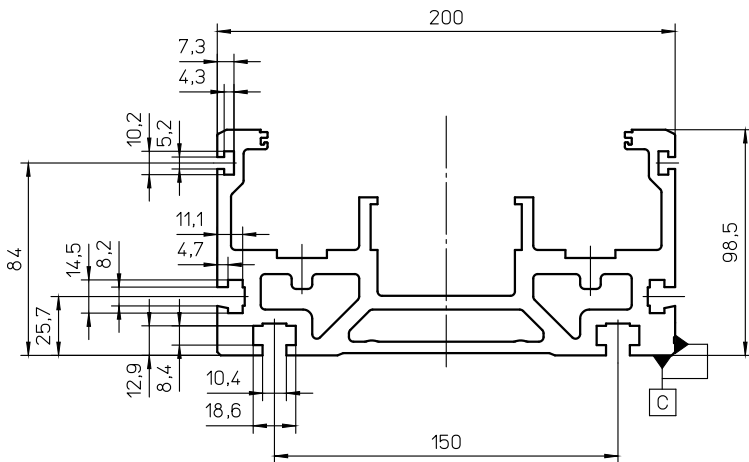
**Profile Delta 145-C**

Specific mass [kg/m]	7.8
Surface measure [mm <sup>2</sup> ]	2899
Geometrical moment of inertia I <sub>y</sub> [mm <sup>4</sup> ]	1251254
Geometrical moment of inertia I <sub>z</sub> [mm <sup>4</sup> ]	7737207
Section modulus W <sub>y</sub> [mm <sup>3</sup> ]	29621
Section modulus W <sub>z</sub> [mm <sup>3</sup> ]	105418

\* Valid for version with machined profile.

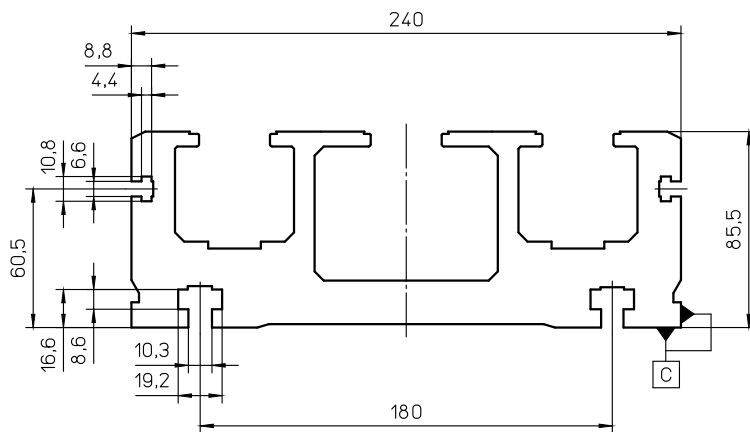
: Stop edge standard page C





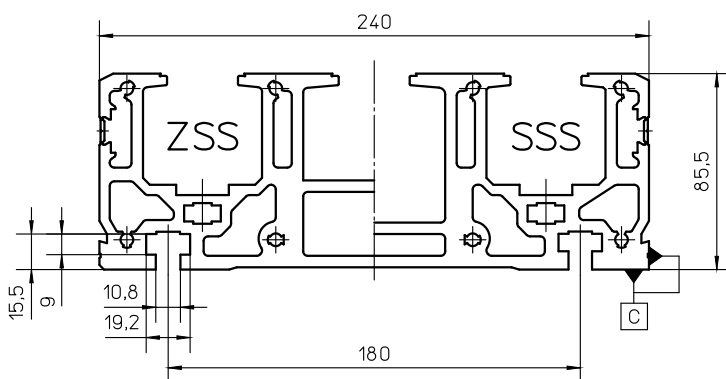
**Profile Delta 200**

Specific mass [kg/m]	15.7
Surface measure [mm <sup>2</sup> ]	5805
Geometrical moment of inertia I <sub>y</sub> [mm <sup>4</sup> ]	3889990
Geometrical moment of inertia I <sub>z</sub> [mm <sup>4</sup> ]	28139811
Section modulus W <sub>y</sub> [mm <sup>3</sup> ]	59044
Section modulus W <sub>z</sub> [mm <sup>3</sup> ]	278731



**Profile Delta 240**

Specific mass [kg/m]	26.6
Surface measure [mm <sup>2</sup> ]	9850
Geometrical moment of inertia I <sub>y</sub> [mm <sup>4</sup> ]	6369119
Geometrical moment of inertia I <sub>z</sub> [mm <sup>4</sup> ]	59788355
Section modulus W <sub>y</sub> [mm <sup>3</sup> ]	120820
Section modulus W <sub>z</sub> [mm <sup>3</sup> ]	498219



**Profil Delta 240-C**

**ZSS**

Specific mass [kg/m]	18.5
Surface measure [mm <sup>2</sup> ]	6848
Geometrical moment of inertia I <sub>y</sub> [mm <sup>4</sup> ]	4850972
Geometrical moment of inertia I <sub>z</sub> [mm <sup>4</sup> ]	38448286
Section modulus W <sub>y</sub> [mm <sup>3</sup> ]	97446
Section modulus W <sub>z</sub> [mm <sup>3</sup> ]	320402

**SSS**

Specific mass [kg/m]	18.5
Surface measure [mm <sup>2</sup> ]	6850
Geometrical moment of inertia I <sub>y</sub> [mm <sup>4</sup> ]	4944409
Geometrical moment of inertia I <sub>z</sub> [mm <sup>4</sup> ]	38449888
Section modulus W <sub>y</sub> [mm <sup>3</sup> ]	97673
Section modulus W <sub>z</sub> [mm <sup>3</sup> ]	320416

**C** : Stop edge standard page C

