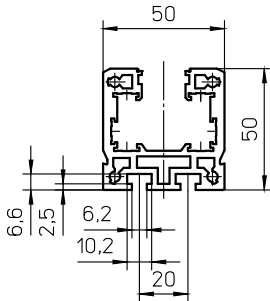


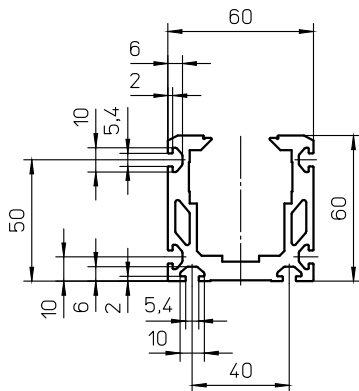
**Profile Beta 40**

Specific mass [kg/m]	1.71
Surface measure [mm <sup>2</sup> ]	635
Geometrical moment of inertia I <sub>y</sub> [mm <sup>4</sup> ]	88917
Geometrical moment of inertia I <sub>z</sub> [mm <sup>4</sup> ]	133350
Section modulus W <sub>y</sub> [mm <sup>3</sup> ]	3757
Section modulus W <sub>z</sub> [mm <sup>3</sup> ]	6665



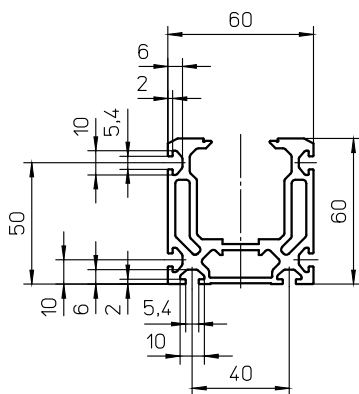
**Profile Beta 50-C**

Specific mass [kg/m]	2.45
Surface measure [mm <sup>2</sup> ]	908
Geometrical moment of inertia I <sub>y</sub> [mm <sup>4</sup> ]	236683
Geometrical moment of inertia I <sub>z</sub> [mm <sup>4</sup> ]	295187
Section modulus W <sub>y</sub> [mm <sup>3</sup> ]	8622
Section modulus W <sub>z</sub> [mm <sup>3</sup> ]	11804



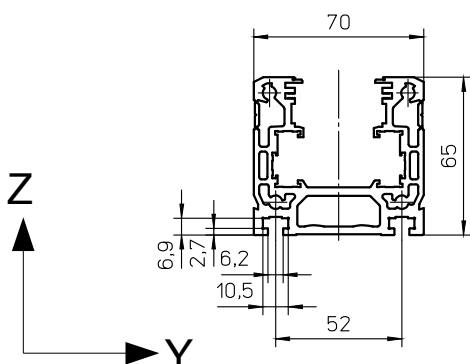
**Profile Beta 60-SGV-SSS**

Specific mass [kg/m]	3.35
Surface measure [mm <sup>2</sup> ]	1242
Geometrical moment of inertia I <sub>y</sub> [mm <sup>4</sup> ]	473055
Geometrical moment of inertia I <sub>z</sub> [mm <sup>4</sup> ]	577258
Section modulus W <sub>y</sub> [mm <sup>3</sup> ]	13624
Section modulus W <sub>z</sub> [mm <sup>3</sup> ]	19236



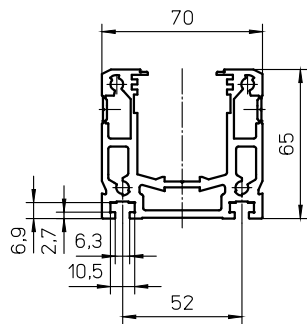
**Profile Beta 60-ZSS**

Specific mass [kg/m]	3.02
Surface measure [mm <sup>2</sup> ]	1117
Geometrical moment of inertia I <sub>y</sub> [mm <sup>4</sup> ]	400283
Geometrical moment of inertia I <sub>z</sub> [mm <sup>4</sup> ]	521983
Section modulus W <sub>y</sub> [mm <sup>3</sup> ]	11929
Section modulus W <sub>z</sub> [mm <sup>3</sup> ]	17380



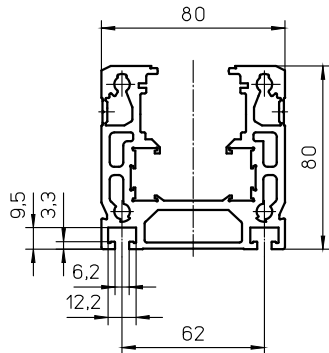
**Profile Beta 70-C-ZRS-SRS**

Specific mass [kg/m]	3.70
Surface measure [mm <sup>2</sup> ]	1370
Geometrical moment of inertia I <sub>y</sub> [mm <sup>4</sup> ]	583502
Geometrical moment of inertia I <sub>z</sub> [mm <sup>4</sup> ]	852344
Section modulus W <sub>y</sub> [mm <sup>3</sup> ]	15714
Section modulus W <sub>z</sub> [mm <sup>3</sup> ]	24348



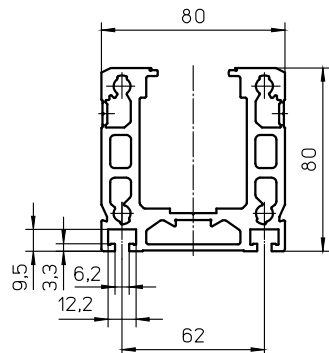
**Profile Beta 70-C-ZSS-SSS**

Specific mass [kg/m]	3.70
Surface measure [mm <sup>2</sup> ]	1370
Geometrical moment of inertia I <sub>y</sub> [mm <sup>4</sup> ]	563059
Geometrical moment of inertia I <sub>z</sub> [mm <sup>4</sup> ]	852507
Section modulus W <sub>y</sub> [mm <sup>3</sup> ]	14743
Section modulus W <sub>z</sub> [mm <sup>3</sup> ]	24335



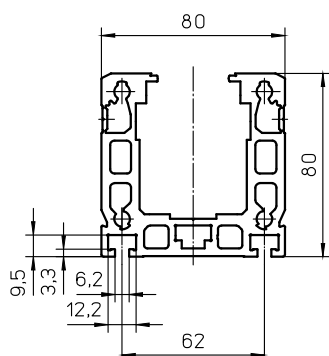
**Profile Beta 80-ZRS-SRS**

Specific mass [kg/m]	5.64
Surface measure [mm <sup>2</sup> ]	2090
Geometrical moment of inertia I <sub>y</sub> [mm <sup>4</sup> ]	1294343
Geometrical moment of inertia I <sub>z</sub> [mm <sup>4</sup> ]	1732340
Section modulus W <sub>y</sub> [mm <sup>3</sup> ]	30263
Section modulus W <sub>z</sub> [mm <sup>3</sup> ]	43258



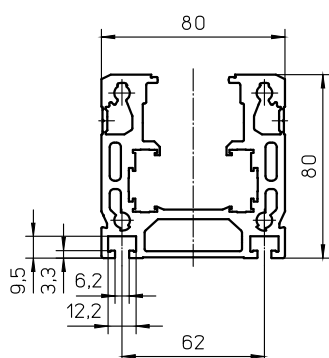
**Profile Beta 80-ZSS**

Specific mass [kg/m]	5.46
Surface measure [mm <sup>2</sup> ]	2040
Geometrical moment of inertia I <sub>y</sub> [mm <sup>4</sup> ]	1326597
Geometrical moment of inertia I <sub>z</sub> [mm <sup>4</sup> ]	1693634
Section modulus W <sub>y</sub> [mm <sup>3</sup> ]	30448
Section modulus W <sub>z</sub> [mm <sup>3</sup> ]	42340



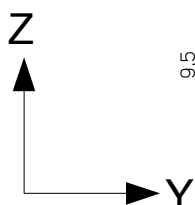
**Profile Beta 80-SGV-SSS**

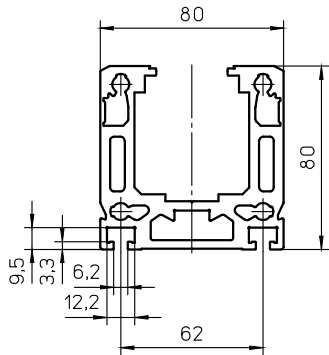
Specific mass [kg/m]	5.60
Surface measure [mm <sup>2</sup> ]	2057
Geometrical moment of inertia I <sub>y</sub> [mm <sup>4</sup> ]	1372019
Geometrical moment of inertia I <sub>z</sub> [mm <sup>4</sup> ]	1677956
Section modulus W <sub>y</sub> [mm <sup>3</sup> ]	30572
Section modulus W <sub>z</sub> [mm <sup>3</sup> ]	41846



**Profile Beta 80-C-ZRS**

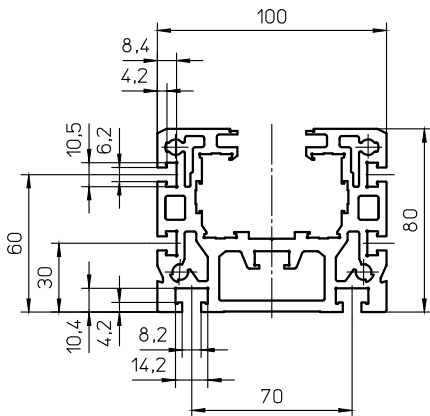
Specific mass [kg/m]	5.82
Surface measure [mm <sup>2</sup> ]	2156
Geometrical moment of inertia I <sub>y</sub> [mm <sup>4</sup> ]	1330724
Geometrical moment of inertia I <sub>z</sub> [mm <sup>4</sup> ]	1979149
Section modulus W <sub>y</sub> [mm <sup>3</sup> ]	31767
Section modulus W <sub>z</sub> [mm <sup>3</sup> ]	44843





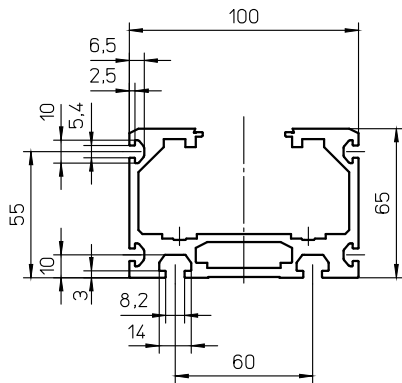
**Profile Beta 80-C-ZSS**

Specific mass [kg/m]	5.92
Surface measure [mm <sup>2</sup> ]	2191
Geometrical moment of inertia I <sub>y</sub> [mm <sup>4</sup> ]	1376276
Geometrical moment of inertia I <sub>z</sub> [mm <sup>4</sup> ]	1772609
Section modulus W <sub>y</sub> [mm <sup>3</sup> ]	30375
Section modulus W <sub>z</sub> [mm <sup>3</sup> ]	44315



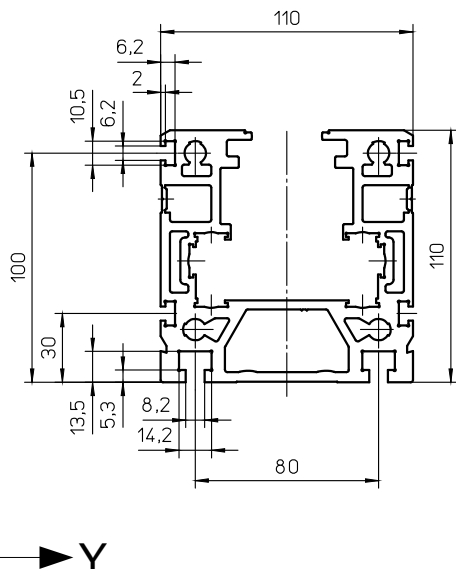
**Profile Beta 100**

Specific mass [kg/m]	7.97
Surface measure [mm <sup>2</sup> ]	2950
Geometrical moment of inertia I <sub>y</sub> [mm <sup>4</sup> ]	1782959
Geometrical moment of inertia I <sub>z</sub> [mm <sup>4</sup> ]	3507213
Section modulus W <sub>y</sub> [mm <sup>3</sup> ]	40598
Section modulus W <sub>z</sub> [mm <sup>3</sup> ]	70137



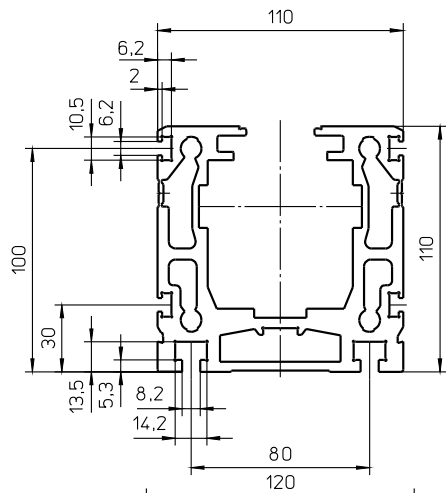
**Profile Beta 100-D**

Specific mass [kg/m]	4.87
Surface measure [mm <sup>2</sup> ]	1804
Geometrical moment of inertia I <sub>y</sub> [mm <sup>4</sup> ]	917779
Geometrical moment of inertia I <sub>z</sub> [mm <sup>4</sup> ]	2328911
Section modulus W <sub>y</sub> [mm <sup>3</sup> ]	23869
Section modulus W <sub>z</sub> [mm <sup>3</sup> ]	46578



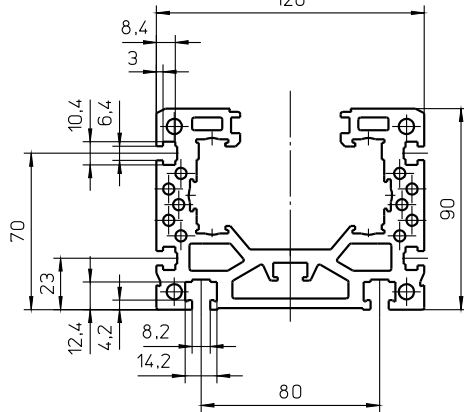
**Profile Beta 110-ZRS-SRS**

Specific mass [kg/m]	10.51
Surface measure [mm <sup>2</sup> ]	3891
Geometrical moment of inertia I <sub>y</sub> [mm <sup>4</sup> ]	5000778
Geometrical moment of inertia I <sub>z</sub> [mm <sup>4</sup> ]	6042980
Section modulus W <sub>y</sub> [mm <sup>3</sup> ]	85615
Section modulus W <sub>z</sub> [mm <sup>3</sup> ]	109862



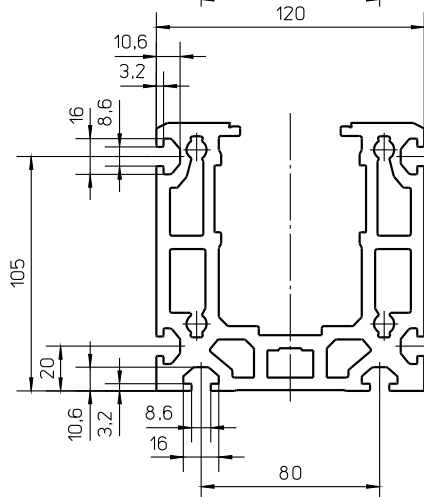
**Profile Beta 110-ZSS-SSS / 110-C-SGV**

Specific mass [kg/m]	10.54
Surface measure [mm <sup>2</sup> ]	3902
Geometrical moment of inertia I <sub>y</sub> [mm <sup>4</sup> ]	4974348
Geometrical moment of inertia I <sub>z</sub> [mm <sup>4</sup> ]	5898662
Section modulus W <sub>y</sub> [mm <sup>3</sup> ]	79469
Section modulus W <sub>z</sub> [mm <sup>3</sup> ]	106973



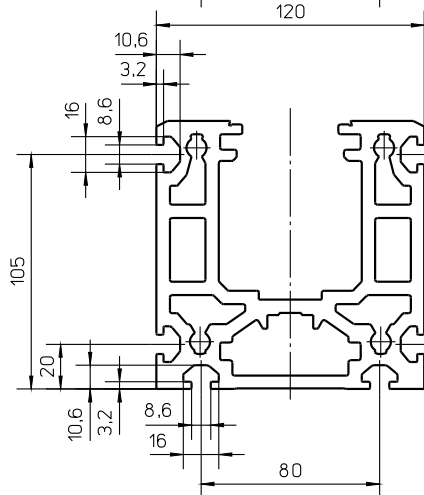
**Profile Beta 120**

Specific mass [kg/m]	10.47
Surface measure [mm <sup>2</sup> ]	3876
Geometrical moment of inertia I <sub>y</sub> [mm <sup>4</sup> ]	3095671
Geometrical moment of inertia I <sub>z</sub> [mm <sup>4</sup> ]	7114115
Section modulus W <sub>y</sub> [mm <sup>3</sup> ]	62753
Section modulus W <sub>z</sub> [mm <sup>3</sup> ]	118478



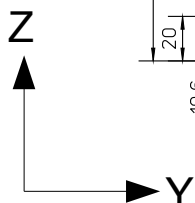
**Profile Beta 120-C-SSS**

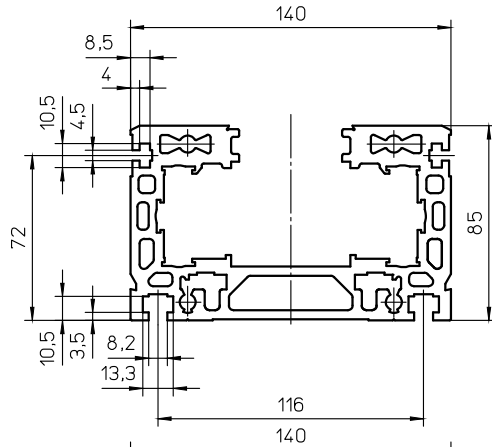
Specific mass [kg/m]	13.24
Surface measure [mm <sup>2</sup> ]	4902
Geometrical moment of inertia I <sub>y</sub> [mm <sup>4</sup> ]	7217779
Geometrical moment of inertia I <sub>z</sub> [mm <sup>4</sup> ]	8754150
Section modulus W <sub>y</sub> [mm <sup>3</sup> ]	104573
Section modulus W <sub>z</sub> [mm <sup>3</sup> ]	145902



**Profile Beta 120-C-ZSS**

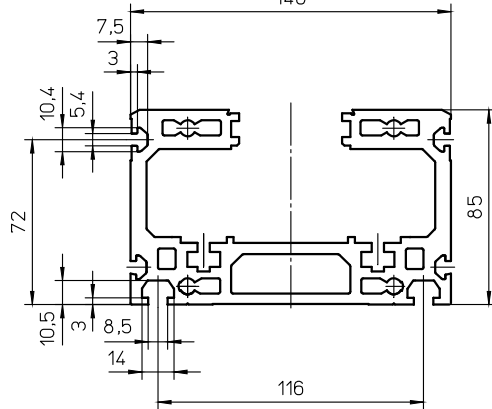
Specific mass [kg/m]	13.77
Surface measure [mm <sup>2</sup> ]	5100
Geometrical moment of inertia I <sub>y</sub> [mm <sup>4</sup> ]	7149181
Geometrical moment of inertia I <sub>z</sub> [mm <sup>4</sup> ]	8947351
Section modulus W <sub>y</sub> [mm <sup>3</sup> ]	109336
Section modulus W <sub>z</sub> [mm <sup>3</sup> ]	149123





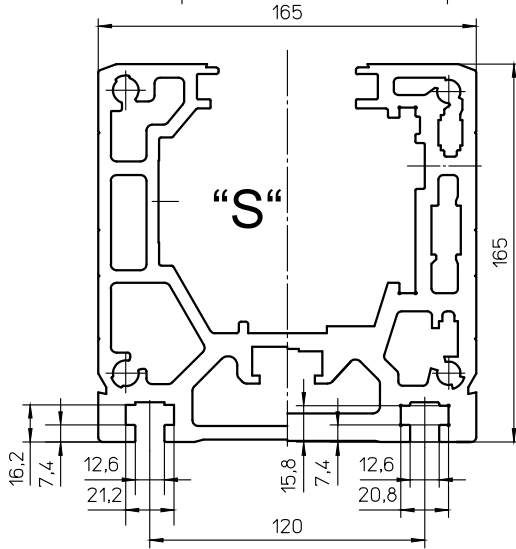
**Profile Beta 140**

Specific mass [kg/m]	10.68
Surface measure [mm <sup>2</sup> ]	3955
Geometrical moment of inertia I <sub>y</sub> [mm <sup>4</sup> ]	3159202
Geometrical moment of inertia I <sub>z</sub> [mm <sup>4</sup> ]	9975915
Section modulus W <sub>y</sub> [mm <sup>3</sup> ]	69334
Section modulus W <sub>z</sub> [mm <sup>3</sup> ]	184852



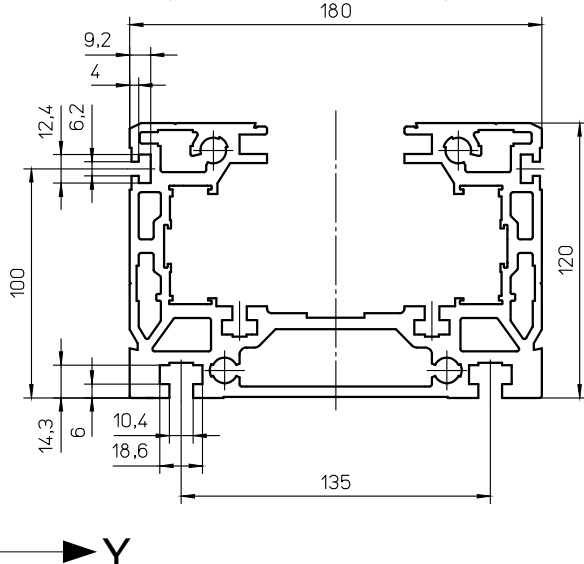
**Profile Beta 140-C**

Specific mass [kg/m]	10.11
Surface measure [mm <sup>2</sup> ]	3743
Geometrical moment of inertia I <sub>y</sub> [mm <sup>4</sup> ]	3127894
Geometrical moment of inertia I <sub>z</sub> [mm <sup>4</sup> ]	9071334
Section modulus W <sub>y</sub> [mm <sup>3</sup> ]	67067
Section modulus W <sub>z</sub> [mm <sup>3</sup> ]	129589



**Profile Beta 165 (-C)**

	"S"	
Specific mass [kg/m]	19,95	25,13
Surface measure [mm <sup>2</sup> ]	7388	9308
Geometrical moment of inertia I <sub>y</sub> [mm <sup>4</sup> ]	21396126	25391136
Geometrical moment of inertia I <sub>z</sub> [mm <sup>4</sup> ]	25983180	31673479
Section modulus W <sub>y</sub> [mm <sup>3</sup> ]	228529	264686
Section modulus W <sub>z</sub> [mm <sup>3</sup> ]	314947	383919



**Profile Beta 180 (-C)**

Specific mass [kg/m]	15,85
Surface measure [mm <sup>2</sup> ]	5870
Geometrical moment of inertia I <sub>y</sub> [mm <sup>4</sup> ]	9351063
Geometrical moment of inertia I <sub>z</sub> [mm <sup>4</sup> ]	24300411
Section modulus W <sub>y</sub> [mm <sup>3</sup> ]	137689
Section modulus W <sub>z</sub> [mm <sup>3</sup> ]	269902

